

OUTDOOR LED LIGHTING



SHOSHA/FL

EY363- P & S & E

LED FLOOD LIGHT



Baseball Stadium, Japan



EY363- 240W • 320W

EY363- 450W • 480W • 600W

EY363- 900W • 960W • 1200W

OPTIONAL ANTI-GLARE PROTECTION

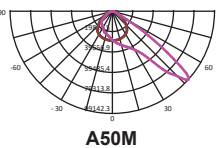
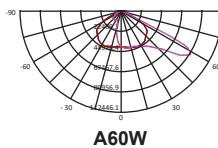
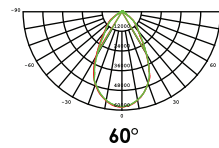
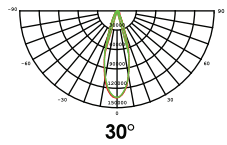
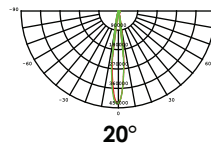
PHOTOMETRY/BEAM ANGLE

Without glare shield

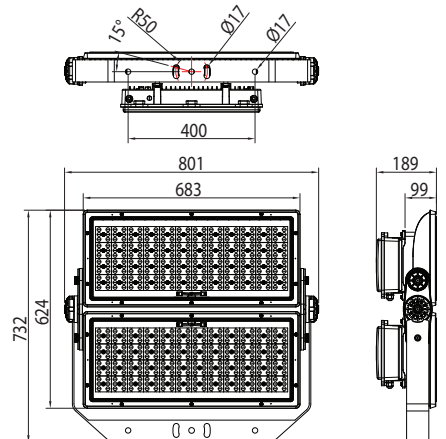
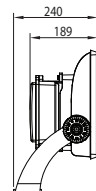
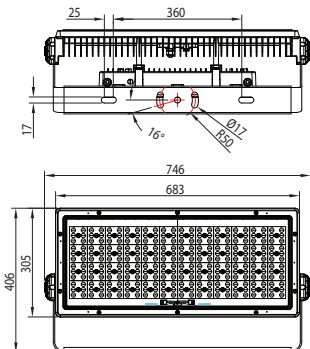
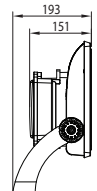
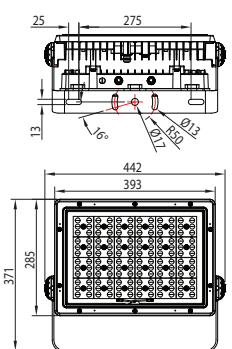
With Anti-Glare Shield



- With anti-glare shield it can prevent unwanted light which causing discomfort, distraction, or a reduction in visibility. (special order request)



PRODUCT DIMENSION



MODEL NO.	EY363-240W-P	EY363-320W-P	EY363-450W-P	EY363-480W-P	EY363-600W-P	EY363-900W-P	EY363-960W-P	EY363-1200W-P
Power Consumption ±5% (W)	240W	320W	450W	480W	600W	900W	960W	1200W
Luminaire Flux ±5% (lm)	38,400	49,568	66,735	71,184	86,160	133,200	142,080	171,600
System Efficacy ±5% (lm/W)	160	155	148	148	144	148	148	143
Power Factor (PF)	0.97	0.97	0.97	0.97	0.97	0.97	0.97	0.97
HID Equivalent	500W	1000W	1500W	1500W	1800W	3000W	3000W	3600W
Net Weight (kg)	7.7	8.4	19.1	19.1	19.1	36.9	36.9	36.9
Gross Weight (kg)	8.4	9.1	20.6	20.6	20.6	39.2	39.2	39.2
Product Dimension, L x W x H (mm)	442 x 371 x 193			746 x 406 x 240			801 x 732 x 189	
Carton Dimension, L x W x H (mm)	458 x 338 x 225			805 x 370 x 260			860 x 770 x 262	
CBM (m ³)	0.035			0.077			0.172	

Note 1: The above specified lumen and system efficiency based on standard CCT: 5000K & 60° beam.

Note 2: Other power 200W, 300W, 400W, 500W, 1000W, 1100W available upon request.

TECHNICAL SPECIFICATION - VERSION P

ELECTRICAL SYSTEM

- **Input Voltage** : 100 - 240Vac, 50/60Hz
- **Insulation Class** : Class I
- **LED Driver** : Inventronic EUM/EUD IP67
- **Surge Protection Devices** : I_{max} 20kA (40kV)

LIGHT SOURCE / OPTIC

- **LED Type** : LUMILEDS 5050 with TM21 and LM80
: OSRAM 3737 (For asymmetrical beam)
- **Color Temperature (CCT)** : Standard 5000K
(Others upon request)
- **Color Rendering Index (CRI)** : Ra > 70
(Ra > 80, 90 upon request)
- **Life Time Residual Flux** : (L80), >50,000 hours
@ Ta = 40°C
- **Optical System** : 20°, 30° & 60° Beam Angle
: PC Lens with Tempered Glass Cover
- **Working Temperature** : Ta : -30°C to +40°C

FIXTURE/HOUSING

- **Ingress Protection (IP)** : IP66
- **Impact Resistance (IK)** : IK09
- **Housing Material** : ADC 12 Die-Cast Aluminium
- **Housing Finish** : Powder Coating - RAL7005 Grey

COMPLIANCE

- **Type Test Certified (Luminaire)** : IEC 60598-1, IEC 60598-2-1
: IEC 60598-2-5, IEC/TR 62778
- **EMC Certified (LED Driver)** : IEC 61000-3-2, IEC 61000-3-3
: IEC 55015, EN 61547, EN 62493
- **LED Compliances Test** : IESNA LM-80, TM-21
- **Ingress Protection Test** : IEC 60529 (IP66)
- **Impact Resistance Test** : IEC 62262 (IK09)
- **RoHS Compliance** : EN62321
- **Vibration Test** : IEC60068-2-6 (5G vibration test)

OPTIONAL FEATURES/ACCESSORIES

- Motion Sensor
- Smart Lighting Controller
- Customizable Wattage upon request

APPLICATION

- Highway Interchange • Highmast • Façade Lighting
- Car Parks • Parks • Riverside • Sport Lighting
- Toll Plaza • Airport Apron • Quay Crane • Port Lighting

STOCK AVAILABILITY REGION - VERSION P

- MALAYSIA • SINGAPORE • THAILAND • INDONESIA

MODEL NO.	EY363-240W-S	EY363-320W-S	EY363-450W-S	EY363-480W-S	EY363-600W-S	EY363-900W-S	EY363-960W-S	EY363-1200W-S
Power Consumption $\pm 5\%$ (W)	240W	320W	450W	480W	600W	900W	960W	1200W
Luminaire Flux $\pm 5\%$ (lm)	38,400	49,568	66,735	71,184	86,160	133,200	142,080	171,600
System Efficacy $\pm 5\%$ (lm/W)	160	155	148	148	144	148	148	143
Power Factor (PF)	0.97	0.97	0.97	0.97	0.97	0.97	0.97	0.97
HID Equivalent	500W	1000W	1500W	1500W	1800W	3000W	3000W	3600W
Net Weight (kg)	7.7	8.4	19.1	19.1	19.1	36.9	36.9	36.9
Gross Weight (kg)	8.4	9.1	20.6	20.6	20.6	39.2	39.2	39.2
Product Dimension, L x W x H (mm)	442 x 371 x 193			746 x 406 x 240			801 x 732 x 189	
Carton Dimension, L x W x H (mm)	458 x 338 x 225			805 x 370 x 260			860 x 770 x 262	
CBM (m ³)	0.035			0.077			0.172	

Note 1: The above specified lumen and system efficiency based on standard CCT: 5000K & 60° beam.

Note 2: Other power 200W, 300W, 400W, 500W, 1000W, 1100W available upon request.

TECHNICAL SPECIFICATION - VERSION S

ELECTRICAL SYSTEM

- **Input Voltage** : 100 - 240Vac, 50/60Hz
- **Insulation Class** : Class I
- **LED Driver** : SOSEN VP IP67
- **Surge Protection Devices** : I_{max} 20kA (40kV)

LIGHT SOURCE / OPTIC

- **LED Type** : LUMILEDS 5050 with TM21 and LM80
: OSRAM 3737 (For asymmetrical beam)
- **Color Temperature (CCT)** : Standard 5000K
(Others upon request)
- **Color Rendering Index (CRI)** : Ra > 70
(Ra > 80, 90 upon request)
- **Life Time Residual Flux** : (L80), >50,000 hours
@ Ta = 40°C
- **Optical System** : 20°, 30° & 60° Beam Angle
: PC Lens with Tempered Glass Cover
- **Working Temperature** : Ta : -30°C to +40°C

FIXTURE/HOUSING

- **Ingress Protection (IP)** : IP66
- **Impact Resistance (IK)** : IK09
- **Housing Material** : ADC 12 Die-Cast Aluminium
- **Housing Finish** : Powder Coating - RAL7005 Grey

COMPLIANCE

- **Type Test Certified (Luminaire)** : IEC 60598-1, IEC 60598-2-1
: IEC 60598-2-5, IEC/TR 62778
- **EMC Certified (LED Driver)** : IEC 61000-3-2, IEC 61000-3-3
: IEC 55015, EN 61547, EN 62493
- **LED Compliances Test** : IESNA LM-80, TM-21
- **Ingress Protection Test** : IEC 60529 (IP66)
- **Impact Resistance Test** : IEC 62262 (IK09)
- **RoHS Compliance** : EN62321
- **Vibration Test** : IEC60068-2-6 (5G vibration test)

OPTIONAL FEATURES/ACCESSORIES

- Motion Sensor
- Smart Lighting Controller
- Customizable Wattage upon request

APPLICATION

- Highway Interchange • Highmast • Façade Lighting
- Car Parks • Parks • Riverside • Sport Lighting
- Toll Plaza • Airport Apron • Quay Crane • Port Lighting

STOCK AVAILABILITY REGION - VERSION S

- SINGAPORE • OTHER REGION AVAILABLE UPON REQUEST

MODEL NO.	EY363-240W-E	EY363-320W-E	EY363-450W-E	EY363-480W-E	EY363-600W-E	EY363-900W-E	EY363-960W-E	EY363-1200W-E
Power Consumption ±5% (W)	240W	320W	450W	480W	600W	900W	960W	1200W
Luminaire Flux ±5% (lm)	38,400	49,568	66,735	71,184	86,160	133,200	142,080	171,600
System Efficacy ±5% (lm/W)	160	155	148	148	144	148	148	143
Power Factor (PF)	0.97	0.97	0.97	0.97	0.97	0.97	0.97	0.97
HID Equivalent	500W	1000W	1500W	1500W	1800W	3000W	3000W	3600W
Net Weight (kg)	7.7	8.4	19.1	19.1	19.1	36.9	36.9	36.9
Gross Weight (kg)	8.4	9.1	20.6	20.6	20.6	39.2	39.2	39.2
Product Dimension, L x W x H (mm)	442 x 371 x 193			746 x 406 x 240			801 x 732 x 189	
Carton Dimension, L x W x H (mm)	458 x 338 x 225			805 x 370 x 260			860 x 770 x 262	
CBM (m ³)	0.035			0.077			0.172	

Note 1: The above specified lumen and system efficiency based on standard CCT: 5000K

Note 2: Other power 200W, 300W, 400W, 500W, 1000W, 1100W available upon request.

TECHNICAL SPECIFICATION - VERSION E

ELECTRICAL SYSTEM

- **Input Voltage** : 100 - 240Vac, 50/60Hz
- **Insulation Class** : Class I
- **LED Driver** : SOSEN VP IP67
- **Surge Protection Devices** : I_{max} 20kA (40kV)

LIGHT SOURCE / OPTIC

- **LED Type** : TYF 5050 with TM21 and LM80
: OSRAM 3737 (For asymmetrical beam)
- **Color Temperature (CCT)** : Standard 5000K
(Others upon request)
- **Color Rendering Index (CRI)** : Ra > 70
(Ra > 80, 90 upon request)
- **Life Time Residual Flux** : (L80), >50,000 hours
@ Ta = 40°C
- **Optical System** : 20°, 30° & 60° Beam Angle
: PC Lens with Tempered Glass Cover
- **Working Temperature** : Ta : -30°C to +40°C

FIXTURE/HOUSING

- **Ingress Protection (IP)** : IP66
- **Impact Resistance (IK)** : IK09
- **Housing Material** : ADC 12 Die-Cast Aluminium
- **Housing Finish** : Powder Coating - RAL7005 Grey

COMPLIANCE (PENDING TEST BY JAN 2023)

- **Type Test Certified (Luminaire)** : IEC 60598-1, IEC 60598-2-1
: IEC 60598-2-5, IEC/TR 62778
- **EMC Certified (LED Driver)** : IEC 61000-3-2, IEC 61000-3-3
: IEC 55015, EN 61547, EN 62493
- **LED Compliances Test** : IESNA LM-80, TM-21
- **Ingress Protection Test** : IEC 60529 (IP66)
- **Impact Resistance Test** : IEC 62262 (IK09)
- **RoHS Compliance** : EN62321
- **Vibration Test** : IEC60068-2-6 (5G vibration test)

OPTIONAL FEATURES/ACCESSORIES

- Motion Sensor
- Smart Lighting Controller
- Customizable Wattage upon request

APPLICATION

- Highway Interchange • Highmast • Façade Lighting
- Car Parks • Parks • Riverside • Sport Lighting
- Toll Plaza • Airport Apron • Quay Crane • Port Lighting

STOCK AVAILABILITY REGION - VERSION E

- OTHER REGION AVAILABLE UPON REQUEST
- PROJECT BY PROJECT BASIS AVAILABLE